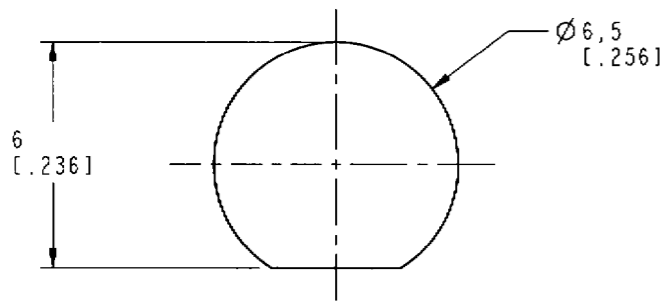
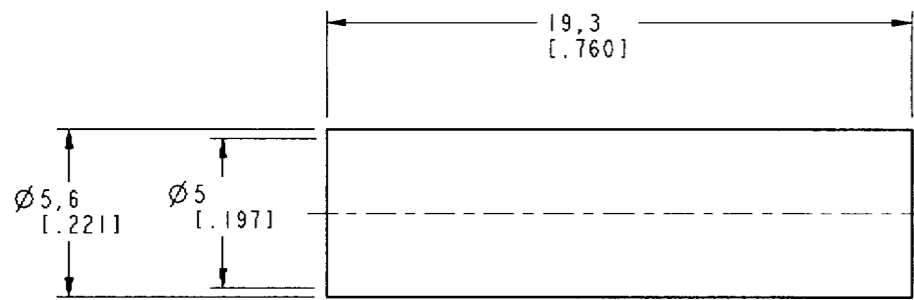
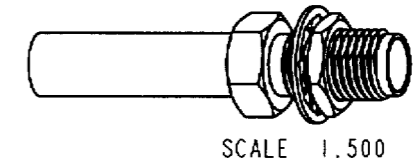


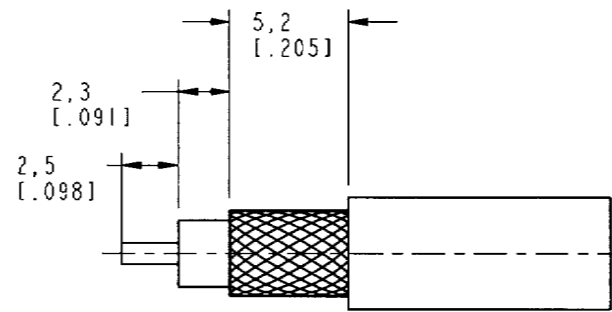
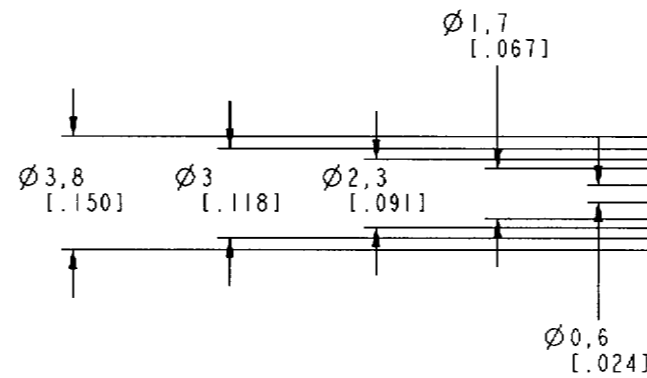
NOTES:

- MATERIALS OF CONSTRUCTION:  
 BODY & NUT = BRASS (QQ-B-626), NICKEL PLATED  
 CONTACT PIN = BeCu, GOLD PLATED  
 LOCKWASHER = BRASS (QQ-B-613), NICKEL PLATED  
 FERRULE = COPPER, NICKEL PLATED  
 INSULATOR = TEFLON, MIL-P-19468  
 HEAT SHRINK TUBING = COLOR BLACK
- CRIMPED FERRULE = HEX CRIMP SIZE .128

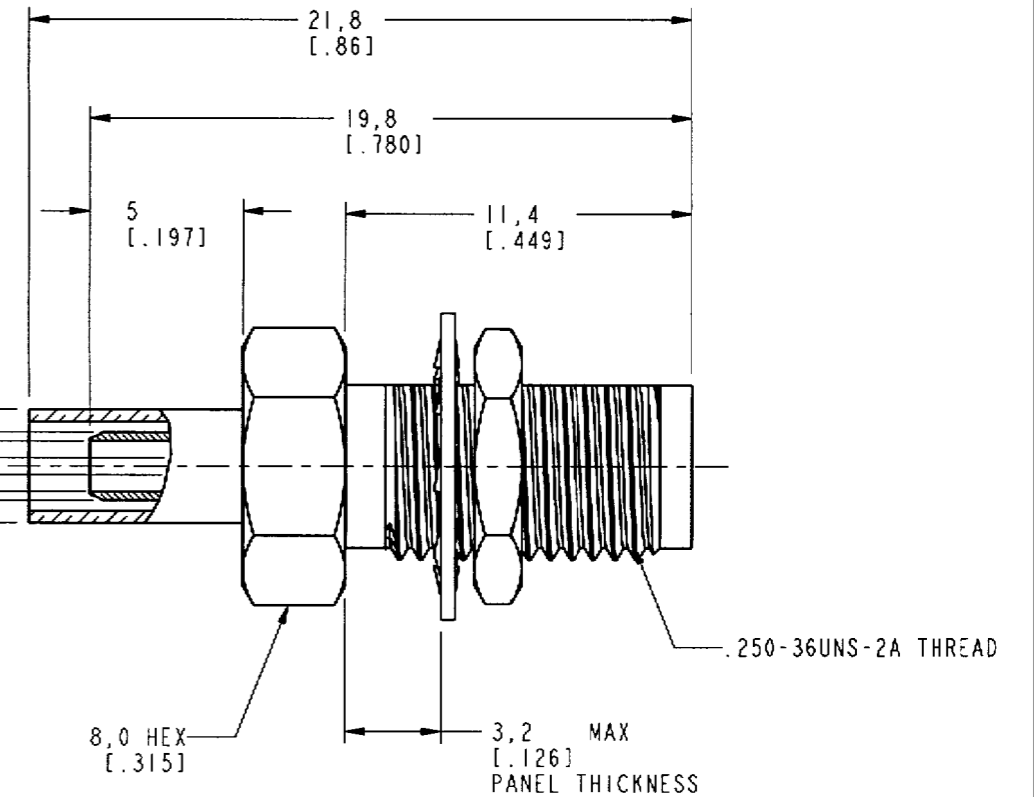
901-9879-RFX		REVISIONS		
DRAWING NO.	REV	DESCRIPTION	DATE	ECO
THIRD ANGLE PROJ.	A	RELEASE TO MFG.	1-25-01	43650
				CPM



RECOMMENDED MOUNTING HOLE DIMENSIONS  
SCALE 5.000



RECOMMENDED CABLE STRIPPING DIMENSIONS  
SCALE 3.000



CUSTOMER OUTLINE DRAWING FOR REFERENCE ONLY

UNLESS OTHERWISE SPECIFIED, DIMENSIONS ARE IN INCHES AND TOLERANCES ARE: 0.5 - 6mm ±0.2mm 6 - 30mm ±0.4mm 30 - 120mm ±0.6mm	MATERIAL	DRAWN C. McGRATH	DATE 01/05/01	TITLE SMA BULKHEAD CRIMP JACK (FOR RG-174/U, 188A/U, 316/U CABLES)	Amphenol Amphenol Corporation Communication and Network Products Division Danbury, CT U.S.A. 06810		
	REFERENCE GEN# 901-10039-RFX_ASSY EAR 967689-0	ENGINEER O. BARTHELMES	DATE 01/05/01			SCALE: 4.0:1 SHEET 2 OF 2	
NOTICE - These drawings, specifications, or other data (1) are, and remain the property of Amphenol Corp. (2) must be returned upon request; and (3) are confidential and not to be disclosed to any person other than those to whom they are given by Amphenol Corp. The furnishing of these drawings, specifications, or other data by Amphenol Corp., or to any other person to anyone for any purpose is not to be regarded by implication or otherwise in any manner licensing, granting rights or permitting such holder or any other person to manufacture, use or sell any product, process or design, patented or otherwise, that may in any way be related to or disclosed by said drawings, specifications, or other data.		APPROVED <i>[Signature]</i>	DATE 1/25/01	CODE ID 74868	DWG SIZE B	DRAWING NO. 901-9879-RFX	REV A